



Quicker than the cycle time GETECHA sprue pickers

GRA 112
by GETECHA

GETpick
by GETECHA

GETgrip
by GETECHA

GETspeed
by GETECHA

GETgrip Servo
by GETECHA

GL 1-AP
by GETECHA



GETECHA

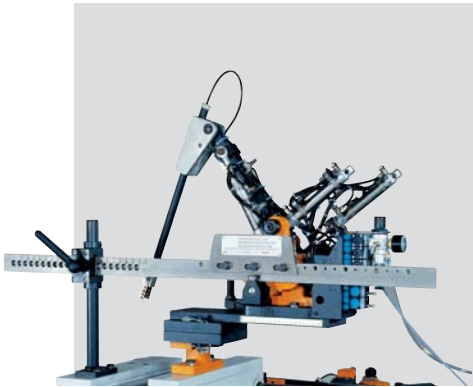
INDIVIDUALITÄT IST UNSER STANDARD

Choose the system partner who is also a competent dialogue partner: GETECHA.

For more than five decades, we have been acting as consultants to the plastics processing industry, developing, planning, and manufacturing consistently individual solutions from sprue recovery and automation systems to granulation. We have been supporting many of our customers for a very long time already. We simply feel at home with your challenges.

Individualität ist unser Standard.

GRA 112 by GETECHA



No sooner open, and it's gone

The proven sprue picker GRA 112 operates with a superimposed motion sequence: No sooner is the mould open, and the sprue is already in the gripper. And all this happens before the injection moulding machine can even give the "Form open" signal. Ideal for injection moulding machines up to 3.000 kN.

- **Less energy consumption**
 - Per cycle only 1.3 l compressed air
- **Robust and accurate**
 - Can grip sprue scraps up to 500 g
 - Motion sequence can be reproduced
- **No Euromap 12 interface**
 - Only compressed air and 230 V
- **Easily converted to new tool**
 - Small number of handles are sufficient
 - No reprogramming
- **Extremely safe**
 - Emergency brake for control and compressed air failure
 - Maintenance-free revolving motion

Technical data:

Sprue picker GRA 112

Load capacity (gripper with injection moulded piece)	500 g
X ejection stroke	0 – 100 mm circular
Ejection force	< 0,5 N
Extraction cycle (dry run)	< 3,5 s is possible
Transversal stroke, min., midi, max.	750, 950, 1.250 mm
Minimum aperture	100 mm
Immersion depth, min., midi, max.	500, 650, 900 mm
Deposit	opposite operating side or on operating side
Working pressure	6 bar flow pressure
Compressed air consumption	1.3 NI / cycle
Weight	approx. 22 kg
Electric interface	not required
Electrical connection	230 V
Standard equipment	
1 sprue gripper	
Assembly console	as per drilling diagram
Maintenance unit with water separator and filter	
Control	
4-line display with step display	
Diagnostic function	
Connection option for modem for remote maintenance	
Error signal for evaluation in the injection moulding machine	
Optional equipment	
Modem	
Customer-specific programming	

... picks it, programmed

The quick beginners picker with its electric interface, in accordance with Euromap 12 / 67 – and its ideal price performance ratio. GETpick grips sprue scraps up to 250 g.



■ Easy to install

- Strong aluminium rolled beams, screwed
- Standardised console in accordance with VDMA E 6
- For fixed tool plate
- Light Y-axis with carbon fiber pipe

■ No programming error

- 3 pre-programmed extraction programs
- Simply configure

■ Easy to use

- 4-line display with step display in plain text
- Connection option for modem for remote maintenance

■ Simply safe

- Integral tool monitoring function
- Diagnosis of inputs and outputs via keypad

Technical data:

Sprue picker GETpick

Load capacity (gripper with injection moulded piece)	250 g
X ejection stroke	50 mm
Ejection force	max. 0,5 N
Extraction cycle (dry run)	< 1,5 s
Y ejection stroke	500 mm
Revolving range	75°
Deposit	opposite operating side
Working pressure	6 bar flow pressure
Compressed air consumption	3 NI / cycle
Weight	approx. 13 kg
Electric interface	Euromap 12
Electrical connection	24 V from the interface
Standard equipment	
1 sprue gripper	
Assembly console with drilling diagram	Euromap 18 / E6
1 x compressed air (single effective cylinder)	
Maintenance unit with water separator and filter	
Control	
4-line display with step display	
Diagnostic function	
3 extraction programs to choose from	
I, L und U from the mobile tool half	
4 configurable timers	
Optional equipment	
Y extraction stroke	700 mm
Customer-specific programming	
Modem	
Adapter for Euromap 67	
X extraction stroke, adjustable	

... also grips large pieces, programmed

The stable and universal machine operates with a bigger stroke – for all those who want greater performance. GETgrip grips sprue pieces and small parts up to 1.000 g (includes gripper and additional axes).



- **Extremely reliable**
 - Self-optimising valve control, therefore operating at the same speed
- **Flexible to use**
 - The gripper can pivot to the right or left – customised installation
- **Can be enhanced**
 - With pneumatic and vacuum functions
 - With peripheral devices
- **No programming errors**
- **Easy and safe to use**
 - 9 standard programs
 - Plus 40 user-programmable sequences
 - Diagnostic functions
 - Manual function of all axes for adjustments
 - Simply configure
- **User-friendly**
 - 2-line display with step display
 - Interface with diagnostic functions
 - Connection option for modem for remote maintenance

Technical data:

Sprue picker GETgrip

Load capacity (gripper with injection moulded piece)	1.000 g
X ejection stroke, continuously adjustable	0 - 50 mm
Ejection force	max. 0.5 N
Extraction cycle (dry run)	< 1 s
Y ejection stroke	400 mm
Revolving range	30° – 90°
Deposit	opposite operating side or on operating side
Compressed air consumption	3 NI / cycle for 500 mm stroke
Weight	approx. 18 kg
Electric interface	Euromap 12 / 67
Electrical connection	24 V from the interface
Standard equipment	
1 sprue gripper	
Assembly console with drilling diagram	Euromap 18 / E6
1 x compressed air (single effective cylinder)	
Maintenance unit with water separator and filter	
Control	
30 sequence programs with 50 steps	
8 configurable timers	
2-line display with step display	
9 extraction programs, pre-programmed	
I, L und U from the mobile fixed tool half	
Diagnostic function	
Connection option for modem for remote maintenance	
Optional equipment	
X ejection stroke	0 – 100 mm
Y extraction stroke	650 mm, 800 mm
Additional vacuum and pneumatic functions	
B-rotational axis	
Special gripper	



... for high-speed sprue extraction

Solid and strong – based on the GETgrip. All linear axes of this extremely quick machine have linear precision guidance. Extraction cycles that take less than 0.4 s for strokes of 500 mm.



■ Easy and safe to use

- 9 standard programs
- Plus 40 user-programmable sequences
- Diagnostic functions
- Manual function of all axes for adjustments
- Simply configure

■ Easy to program

- Plain text display of all sequence steps

■ Ideally structured

- Pivoting angle of transversal axis 30° - 90°
- Available for deposit on operating side and opposite operating side
- Y-axis made from light carbon fiber pipe

■ Standards and options

- Electric interface in accordance with Euromap
- Optional special interfaces
- Assembly console in accordance with Euromap drilling diagram
- Optional special drilling diagram
- Optional remote maintenance

Technical data:

Sprue picker GETspeed

Load capacity (gripper with injection moulded piece)	100 g sprue only
X ejection stroke, continuously adjustable	0 - 50 mm
Ejection force	max. 0.5 N
Extraction cycle (dry run)	< 0.4 s (1 sequence)
Y ejection stroke	500 mm
Revolving range	30° – 90°
Deposit	opposite operating side or on operating side
Working pressure	6 bar flow pressure
Compressed air consumption	3 NI / cycle for 500 mm stroke
Weight	approx. 18 kg
Electric interface	Euromap 12 / 67
Electrical connection	24 V from the interface
Standard equipment	
1 sprue gripper	
Assembly console with drilling diagram	Euromap 18 / E6
1 x compressed air (single effective cylinder)	
Maintenance unit with water separator and filter	
Control	
30 sequence programs with 50 steps	
8 configurable timers	
2-line display with step display	
9 extraction programs, pre-programmed	
I, L und U from the mobile fixed tool half	
Diagnostic function	
Connection option for modem for remote maintenance	
Optional equipment	
Y extraction stroke	700 mm
Modem for remote maintenance	

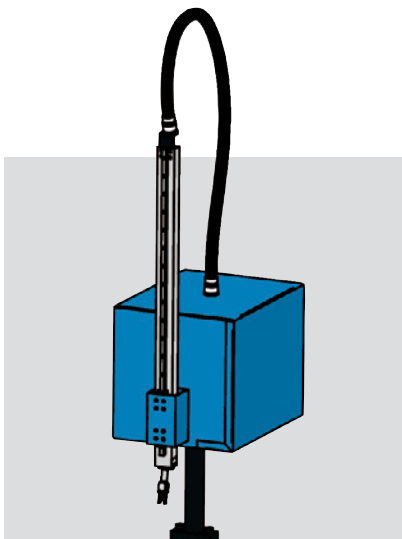


GETgrip Servo

by GETTECHA

... versatile and programmable

This machine already offers you in this range of sprue pickers, the quality and benefits of the user-programmable servomechanism in all axes.



■ Versatile

- Sprue extraction
- Particle extraction
- Immersion
- Enhanced for special tasks
- Saves space as there is no traverse axis

■ User-friendly

- Display with 20 lines, for clear program display
- User-programmable with efficient instruction set
- 200 stored programs
- EASYProg for easy configuration of standard processes

■ Proven electrics

- 4-line display with step display in plain text
- Connection option for modem for remote maintenance

Technical data:

Sprue picker and small parts extraction machine GETgrip Servo

Load capacity (gripper with injection moulded piece)	1.000 g
Axle drive	
A-axis	300 mm motor driven
X ejection axis	800 mm
Y stroke axis	+/- 90° (similar to Getecha sprue extraction machines)
Repeating accuracy	0.2 mm
Distance measuring system	incremental indicator
Dry run cycle	7 s
Ejection force	max. 0.5 N
Working pressure	6 bar
Compressed air consumption	0.1 NI / cycle
Weight	approx. 40 kg
Electric interface	Euromap 67
Electrical connection	230 V AC
Standard equipment	
Hand-held operating / programming control	mobile panel
Assembly console with drilling diagram	Euromap 18 / E6
Gripper	
1 voltage-free contact for conveyor operation	
Gripper functions	
1 x compressed air, single effective cylinder	
Control	
200 sequence programs with 50 steps that can be stored	
Graphic display with 20 lines	
Keypad	
Error messages in plain text	
Menu-driven programming / configuration	
Continued operation after fault, without axis synchronisation	
Online support for program generation	
Optional equipment	
Additional vacuum and pneumatic functions	
Special gripper	
Additional inputs / outputs	

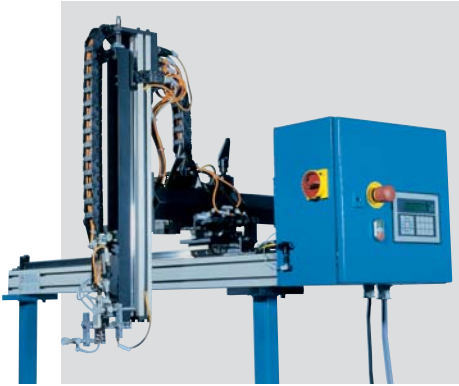


GL 1-AP

by GETECHA

... for structured deposit

The GL 1-AP offers you an inexpensive introduction to the class of linear handling. Even the basic design offers you a machine which is ready to use, with no hidden costs.



■ Top quality equipment

- Three linear axes
- Transversal axis is fitted with a servomotor
- Vertical and ejection axes are pneumatically driven
- Integral C-folding axis
- Gripper and module gripper included in basic unit
- Stable and accurate rail guidance on all linear axes

■ Large selection of applications

- Economical extraction of sprue and small parts without unnecessary ballast
- Allround equipment encompassed in the basic machine
- No additional costs for standard tasks

■ Extraordinary in this machine category

- Multi-track deposit with programmable deposit model
- Easy to operate with clear command structure
- Compact design, no switch cabinet on the hall floor
- Easy programming with efficient modules

Technical data:

Sprue picker and small parts extraction machine GL 1-AP

Load capacity (gripper with injection moulded piece)	1.000 g
Axle drives	motor driven / pneumatic
Z transversal axis	1.000 – 2.000 mm; 1.5 m/s motor driven, toothed belt
X ejection axis	0 – 50 mm, pneumatic
Y stroke axis	650 – 1.000 mm, pneumatic
Repeating accuracy	motor driven 0.3 mm, pneumatic at limit stop
Distance measuring system	incremental indicator
Dry run cycle	12 s
Ejection force	max. 0.5 N
C-folding axis	standard
Angle / torque / pivoting time	0° – 90°; 2 Nm
Working pressure	6 bar flow pressure oil-free, max. 10 bar
Compressed air consumption	3 NI / cycle for 650 mm stroke
Weight	approx. 80 kg
Electric interface	Euromap 67
Electrical connection	230 / 400 V 3-N/PE; 16 A
Standard equipment	
Hand-held operating / programming control	integrated into the switch cabinet
Assembly console with drilling diagram	in accordance with Euromap 18
Gripper	module gripper with 1 gripper, 2 suctions
1 voltage-free contact for conveyor operation	standard
Gripper functions	
1x compressed air, single effective cylinder	standard
1x vacuum; venturi	standard
Control	
30 sequence programs with 100 steps that can be stored	
1 configurable standard sequence included	
Error messages in plain text	
Display with 2 lines of 20 characters	
Keypad	
No switch cabinet on the hall floor	
Optional equipment	
Special gripper	
Additional inputs / outputs	
Rotating modules	



Granulation

Beside-the-press granulators
Central Granulators
Heavy-Duty Granulators



Automation

Sprue removal
Handling systems
Special automation solutions



Technical installations

Development
Manufacturing
Start of operation

GETECHA granulators granulate plastics and return them to the production cycle. The granulators can be expanded into stand-alone recycling systems.

GETECHA realizes tailor-made, turnkey automation systems right around injection moulding machines. They are your one-stop source for development, manufacturing, service and training.

GETECHA have a worldwide sales and service network at their disposal. We guarantee fast, uncomplicated support.



GETECHA GmbH

Am Gemeindegarten 13
D-63741 Aschaffenburg
Fon +49 (0) 60 21.84 00-0
Fax +49 (0) 60 21.84 00-35
E-Mail info@getecha.de
www.getecha.de

GETECHA Inc.

2914 Business One Drive
Kalamazoo, MI 49048, USA
Fon +1 269.373-8896
Fax +1 269.344-7844
E-Mail sales@getechaUS.com
www.getechaUS.com

GETECHA reserves the right to change the product specifications described in this data sheet and publish new data sheets accordingly at any time and without prior notice. GETECHA assumes no liability for the completeness and correctness of this information in terms of form and content. Illustrations may contain options.

GETECHA

INDIVIDUALITÄT IST UNSER STANDARD